

## TECHNICAL DATA

### REGUPOL SONUS ISOLATION STRIP

formerly REGUPOL 3912 ISOLATION STRIP

#### Product

**REGUPOL sonus isolation strips** are designed to sit beneath all types of partition walls and are a very simple and effective way to reduce structure borne noise.

There are a number of different **REGUPOL** materials that can be installed as Isolating Strips, each one tailored to withstand a specific weight per linear metre, therefore we have a **REGUPOL** solution for all partition requirements.



#### Features and Benefits

- Offers long term performance without collapse or “bottoming” out under high point loads
- Resistant to ageing and deformation
- Quick and easy to install - simply bond to the subfloor beneath the partition
- Minimises construction heights
- Available with various backings including self-adhesive backing and Class ‘O’ foil facing
- Product manufactured using recycled materials and 100% Recyclable

#### Physical information

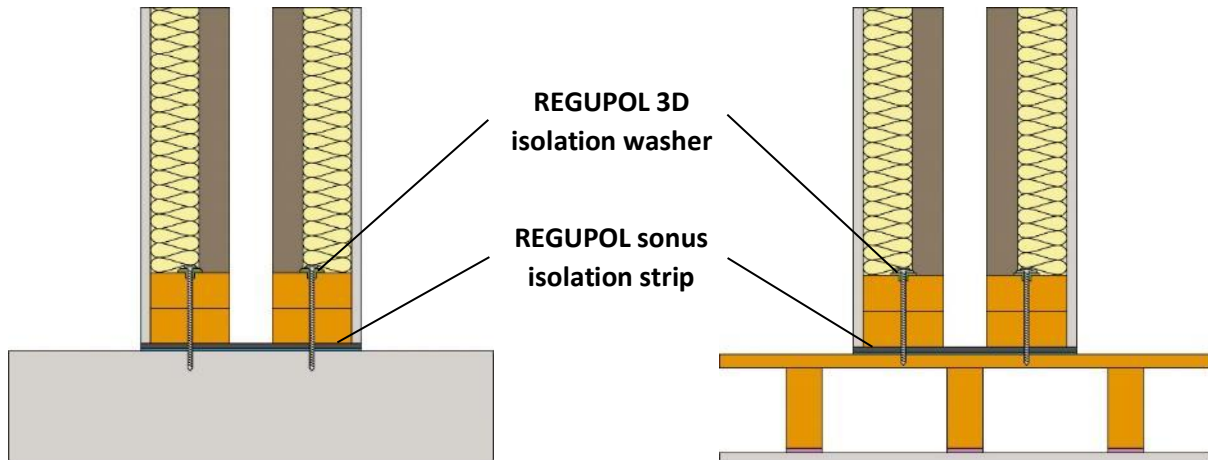
Roll width	Please contact CMS Danskin Acoustics
Roll length	15m
Material thickness	6mm
Weight per m <sup>2</sup>	2.20kg/m <sup>2</sup>
Material composition	PUR foam elastomers

Material properties	Standard	Result
Density		approx. 370 kg/m <sup>3</sup>
Elongation at break	DIN EN ISO 1798	approx. 45 %
Tensile strength	DIN EN ISO 1798	approx. 0.4 N/mm <sup>2</sup>

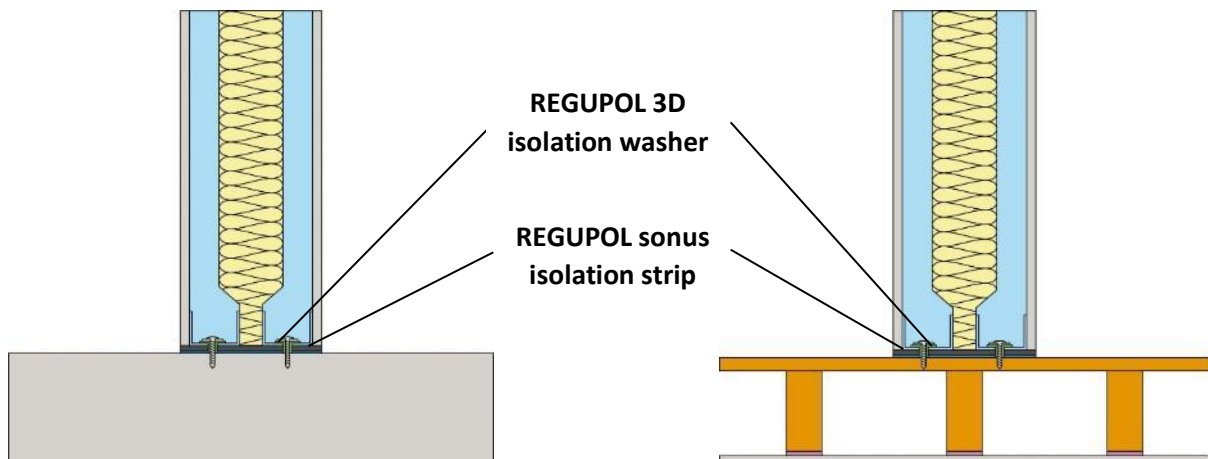
  

Thermal behaviour	Standard	Result
Thermal conductivity	DIN EN 12667	approx. $\lambda = 0.12$ W/(mK)
Thermal resistance	DIN EN 12667	R = 0.049 (m <sup>2</sup> K)/W
Temperature resistance		-20 to +60° C

**Assembly example**  
Timber Stud Frame



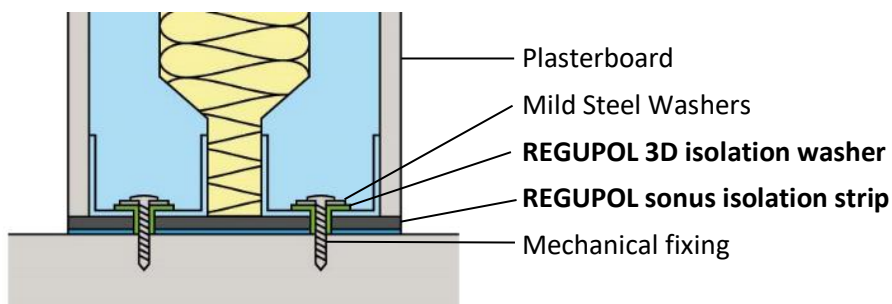
**Assembly example**  
Metal Stud Frame



**REGUPOL sonus isolation strips** can be bonded to the applicable subfloor using approved REGUPOL adhesive\* or alternatively, mechanically fix.

All fixings to be isolated using **REGUPOL 3D isolation washers** (see separate technical data sheet).

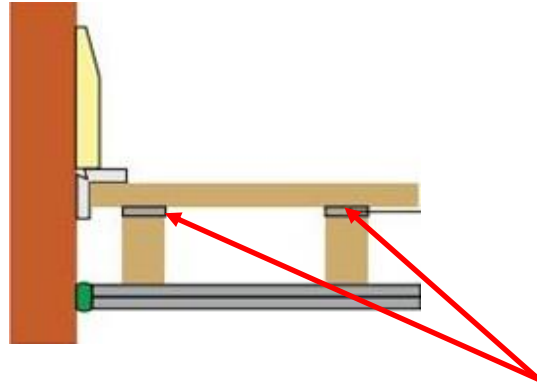
\* Please contact CMS Danskin for advice on specific adhesive type



## Assembly example

### Joist Isolation

---



These diagrams are for illustrative purposes only to show the installation of **REGUPOL sonus isolation strip**. For information relating to your specific applications, please contact CMS Danskin Acoustics.

#### Important Note:

All partitions to be fixed in accordance with manufacturers guidelines. If mechanically fixing, please ensure all fixings are isolated using **REGUPOL 3D isolation washers** (see technical data sheet) and mild steel washers.

#### Storage

**REGUPOL sonus isolation strips** must be stored indoors. At no time must the **REGUPOL sonus isolation strips** be exposed to the elements of the weather. **REGUPOL sonus isolation strips** must always be kept dry, otherwise moisture will build up in the material and will subsequently make bonding to the subfloor very difficult. Moisture will also cause the material to curl and ripple at the edges once unrolled. It is recommended that packaging be removed in the area where it shall be applied.

***IMPORTANT:** The information provided within this document is believed correct and to the best of our available knowledge at its revision date and is provided as suggestion for safe handling, storage, transportation, use and disposal. The information should not be considered obligation in respect of warranty of (technical) performance, quality (specification) or suitability for any application or design. The customer must satisfy themselves the product (or draft specification) are relevant and suitable for their need and design intent. Prospective users should test a sample of product under their own conditions to satisfy themselves of its suitability for intended purpose and that expert advice be sought where different applications are contemplated. Due to our policy of continuous improvement we reserve the right to alter or amend published specification or design without prior notice. Reproduction of any part of this publication in any manner is not permitted without our prior written consent.*