

## Technical Data Sheet

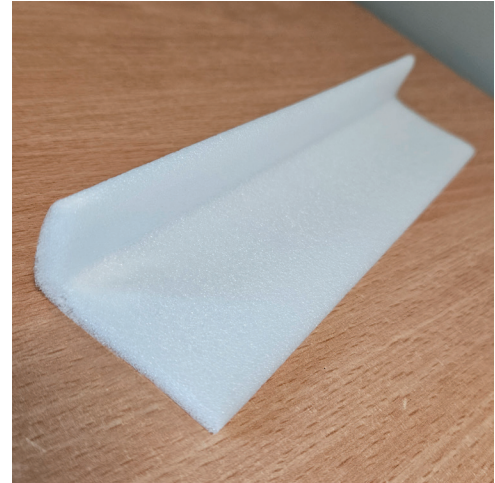
CMS Danskin Acoustic Flanking Strip is a cross-linked, closed cell polyolefin foam strip which is designed to reduce the transmission of flanking sound around the perimeter of acoustically isolated floor systems.

It is L-shaped making for a quick installation reducing any site processing.

### APPLICATIONS

The CMS Danskin Acoustics Flanking Strip is applied around the perimeter of acoustic flooring systems to reduce airborne noise and is suitable for use in both commercial and residential applications, efficiently limiting the passage of flanking noise through the floor.

The CMS Danskin Acoustics Flanking Strip is ideal for new, retrofit or renovation projects in offices, homes and hotel applications as it is so easy to fit, and can be used with acoustic battens, acoustic cradles and acoustic decking.

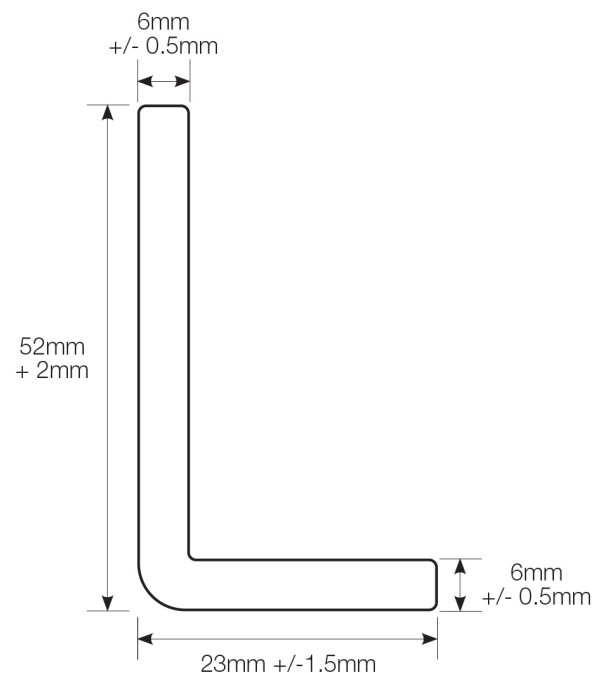


### TECHNICAL INFORMATION

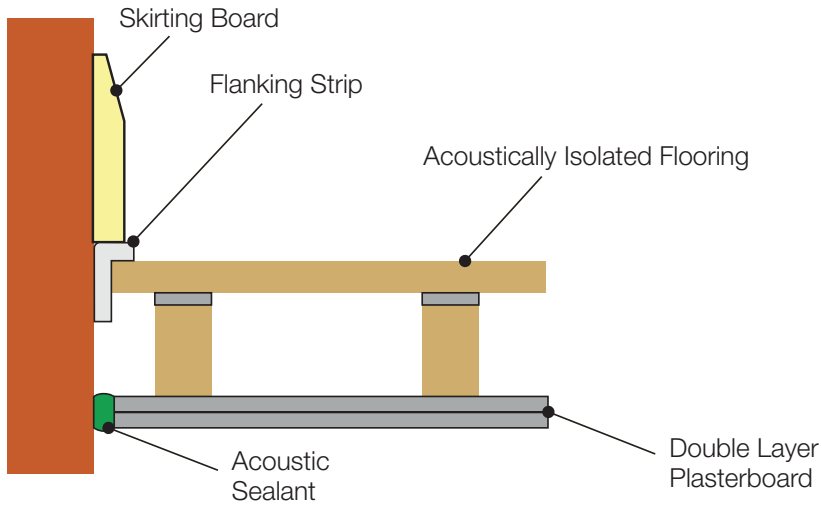
Length	1.8m
Thickness	6mm
Width	23mm
Depth	52mm
Pack count	56 strips

### FEATURES and BENEFITS

- Isolates acoustic flooring system from adjacent structures
- Reduces transmission of flanking sound
- Available in standard and custom widths
- Simple to install
- Cost effective



## INSTALLATION



Flanking Strip isolates the flooring system from adjacent structures.

The strip is trapped against the wall and returned down over the flooring.

The skirting board is then fixed to the wall securing the flanking strip between the skirting board and the floor.

After the skirting board is installed, the flanking strip can be trimmed flush with a sharp trimming knife.