

WeatherClad®

Low maintenance shiplap cladding



BAW-20-140-P-A-UK

Low
maintenance
shiplap
cladding



CMSDANSKIN
ACOUSTICS



Low maintenance shiplap cladding

Weatherclad® is a wood effect fibre cement plank defined and manufactured according to BS EN 12467:2012+A2:2018. Weatherclad® is supplied in a wide range of colours. Weatherclad® carries third party BDA Agreement certification from KIWA which should be read in conjunction with this document.



Features and benefits

- Natural timber look with random embossed grain
- Durable for exterior use
- Aesthetically pleasing
- Split pallets available
- Wide range of colours
- Easy to work and fix
- Comprehensive range of colour matched profiles and trims available



Applications

Weatherclad® is a shiplap cladding system to be applied in the principles of a ventilated rainscreen. Weatherclad® is designed for external applications where superb durability and performance is required.

Supporting framework which is most commonly timber battens must have adequate durability for the intended use and comply with applicable and appropriate national building codes.

Do not use WeatherClad® in areas where it may remain in contact with standing water i.e. within 150mm of DPC level.

Technical Data

Product size: 3660 x 230 x 7.5mm

Reaction to Fire when factory painted by CMS Danskin Acoustics - **A2-s1,d0**

Durability - **BS EN 12467 category A, class 2**

Service life - **minimum 30 years according to BDA Agreement certification**

Type of test	Value
Bending strength	7Nmm ²
Minimum apparent density	Minimum 1340kg/m ³

Dimension Measurement (mm)	
a) Width Tolerance	+0, -2
b) Length. Tolerance	+0, -5
c) Thickness Range	7.3 - 8.3
d) Straightness (maximum edge deviation)	4
e) Squareness (maximum difference in diagonals)	3

Planks per full pallet - 200no (split pallets available)

Moisture Control

Test	Test Standard	Result	Units
Water vapour resistance factor (u)	BS EN ISO 12572	91	-
Water diffusion - equivalent air layer thickness (Sd)		0.72	m

Strength

Test	Test Standard	Result	Units
Design wind load resistance	ETAG 034	1.33 ⁱⁱ	kN/m ²
Pull through resistance of timber fasteners	BS EN 1383	591.3 511.36 ⁱⁱⁱ 214.97 ^{iv}	N (mean) N (characteristic) N (design)
Mean bending strength (wet)		BS EN 12467	12.8 x 10 ³
Mean modulus of elasticity (wet)	5.44 x 10 ⁶		kN/m ²
Hard and soft body impact	ISO 7892 and ETAG 034	Use category III and IV	-

ⁱ Values for solid masonry walls with vertical timber battens of 38mm x 47mm at 600mm centres, and 50 x 2.65 mm grade 304 stainless steel annular ring nails

ⁱⁱ Includes partial factor of 1.5

ⁱⁱⁱ Calculated in accordance with BS EN 1990

^{iv} Includes partial factor of 2.4



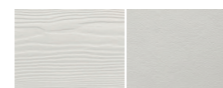
Colour range

Weatherclad® is available in a wide range of standard colours plus RAL and NCS colours on request.

Bespoke RAL and NCS colours may be subject to minimum order and quantities and on extended lead times.



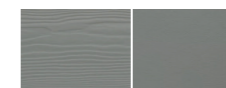
Standard colours



WC01 White
RAL 9016



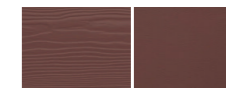
WC08 Sand Yellow
S 1510Y



WC52 Pearl
RAL 7030



WC07 Cream White*
RAL 9001



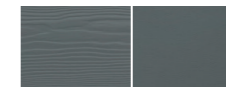
WC61 Burnt Red
S 5040 Y80R



WC02 Beige
RAL 1015



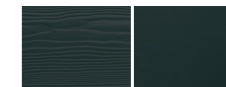
WC10 Blue Grey
RAL 7031



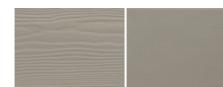
WC54 Pewter*
6500N



WC51 Silver Grey
RAL 7035



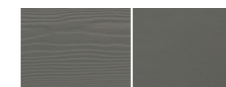
WC50 Black
RAL 9017



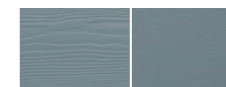
WC03 Grey Brown
RAL 1019



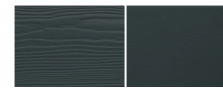
WC14 Atlas Brown
4005 Y50R



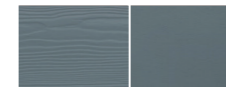
WC55 Taupe
RAL 7006



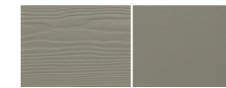
WC62 Violet Blue
RAL 7001



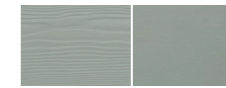
WC04 Dark Brown
RAL 8019



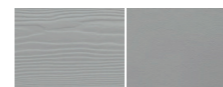
WC15 Dark Grey*
RAL 7046



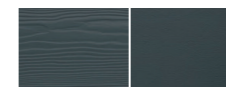
WC57 Sage Green
RAL 7034



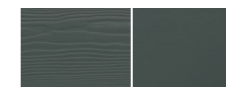
WC06 Grey Green
RAL 7009



WC05 Grey*
RAL 7047



WC18 Slate Grey*
RAL 7024



WC60 Forest Grey
RAL 7022

* Stocked Colours



General fixing instructions to vertical timber battens

Supporting framing components must have adequate durability for the intended use and comply with applicable and appropriate national building codes.

Do not use Weatherclad® in areas where it may remain in contact with standing water for example within 150mm of DPC level.

Install Weatherclad® with a minimum 15mm drained and ventilated cavity.

Timber battens should have a minimum dimension of 15mm deep x 50mm wide and be positioned at maximum span of 600mm.

Please observe minimum edge distances for fixings as explained overleaf.

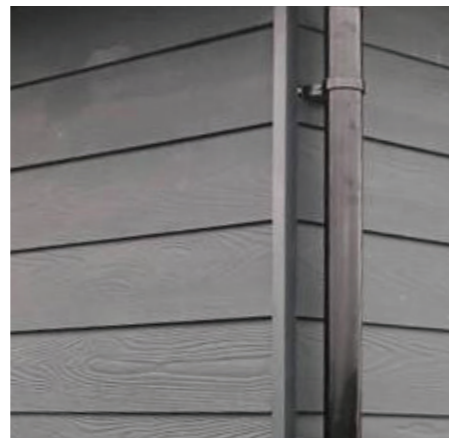
Fixings are generally concealed as planks should overlap by approximately 30mm to the plank below. These principles ensure that the system is ventilated to reduce the risk of moisture penetration into the building. A breather membrane should be used behind the planks under the supporting battens to the face of the sheathing board.

At joints the battens must be wide enough to ensure that plank edges can each be fixed sufficiently considering the minimum plank edge fixing distances.



Screw fixing

Screw fixing is recommended for the most secure fastening of Weatherclad® screws should be self-drilling, stainless steel, wafer head or countersinking with minimum dimensions 4.0 x 45mm.



Screws must not infringe closer than 50mm to plank edges without pre-drilling. With pre-drilling fixings may be positioned up to 20mm from plank edges. Fixings should not be closer than 20mm to the top edge of the planks. Care must be taken to ensure that screws are not over driven causing undue stress and potential rupture to the planks.

Description: Stainless steel grade 304 annular ring nail

Size: 50 x 2.65 mm

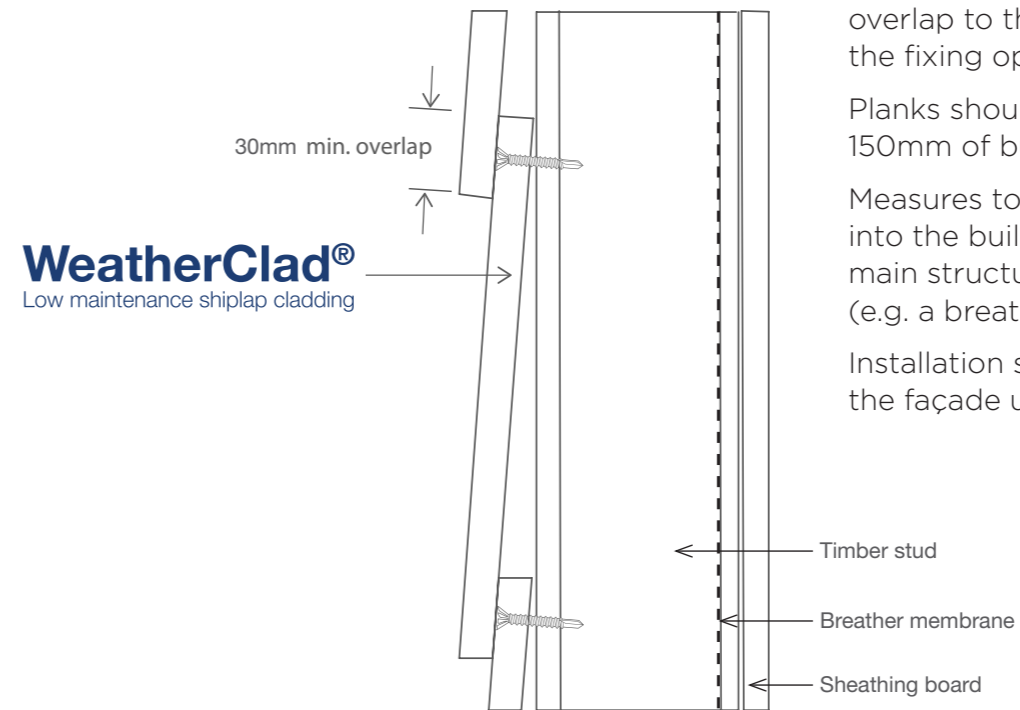
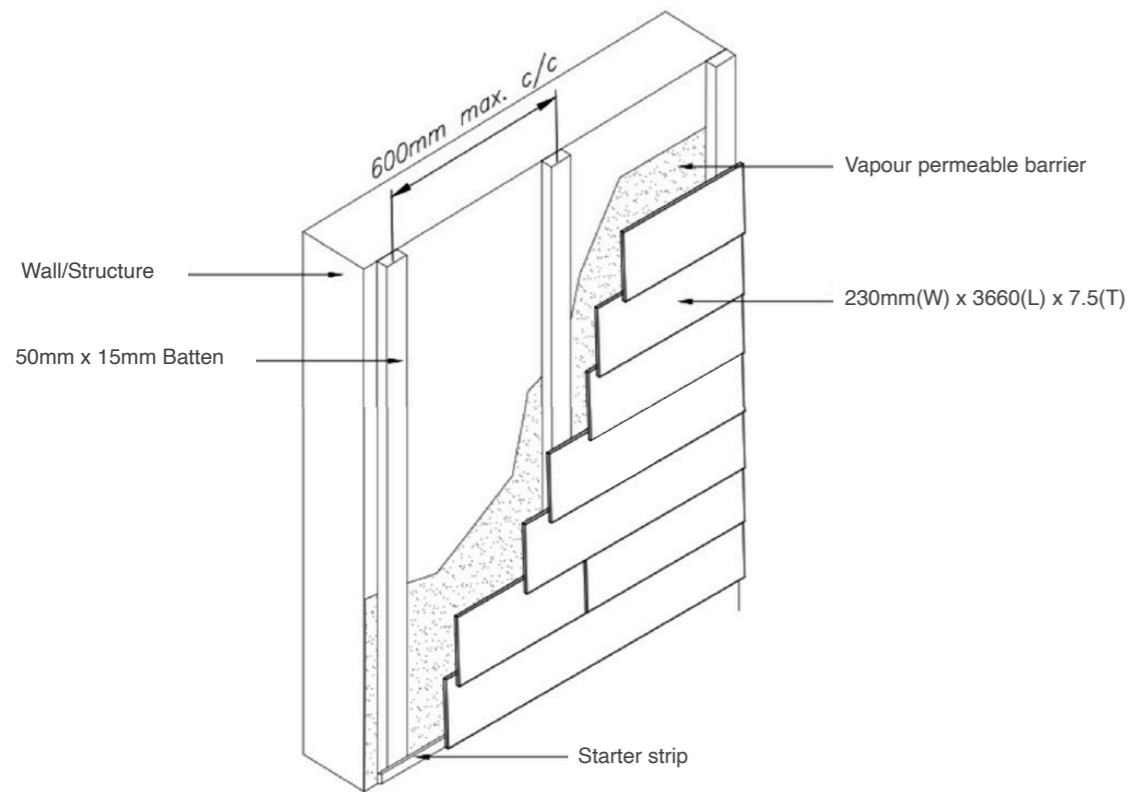
Ensure that plank is flush to battens before nailing.

Do not nail closer than 50mm to edges.

Fixings should not be closer than 20mm to the top edge of the planks. When using the pneumatic nail gun trials should be carried out to ensure that the torque setting fixes the planks flush to the timber studs and does not over fire the nail into the plank causing rupture.



N.B in each of the above methods the top fixings will be visible. Colour matched screws are recommended for the top plank to reduce the visibility of these fixings. Alternatively touch up paint or certain profiles can be used to hide the fixing.



Planks should be installed in horizontal application and with a minimum 30mm overlap to the plank beneath covering the fixing opposite.

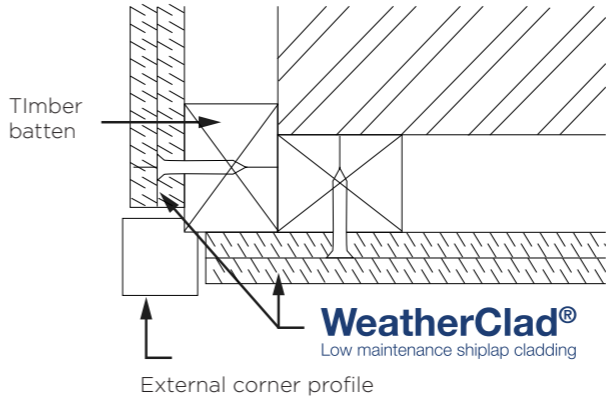
Planks should not be installed within 150mm of building DPC level.

Measures to prevent moisture ingress into the building should be used to the main structure behind the planks (e.g. a breather membrane).

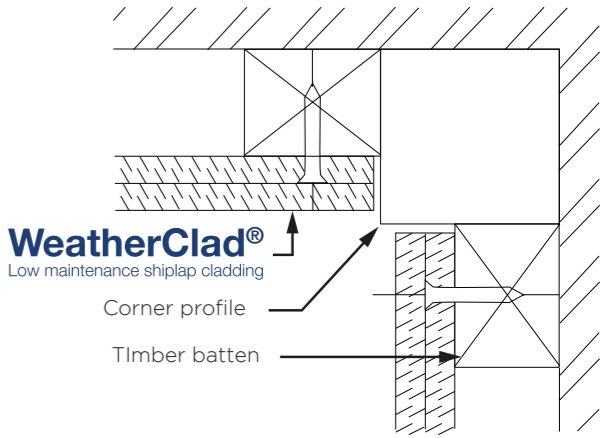
Installation should start at the base of the façade using a base starter profile.



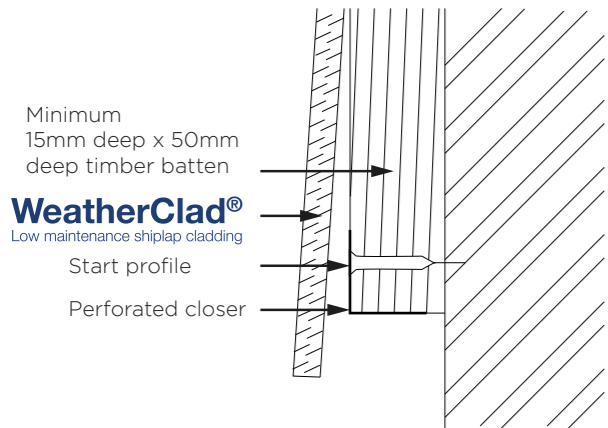
External corner



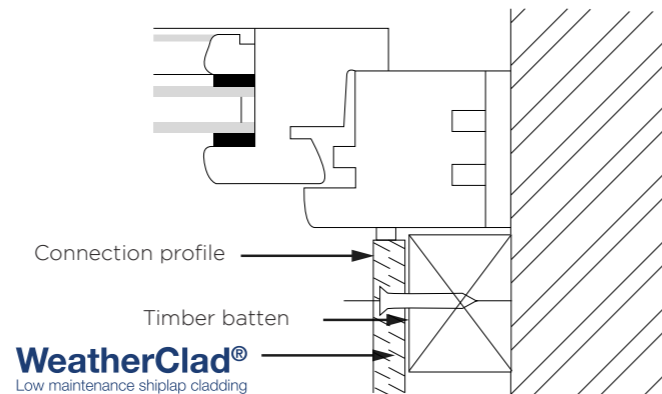
Internal corner



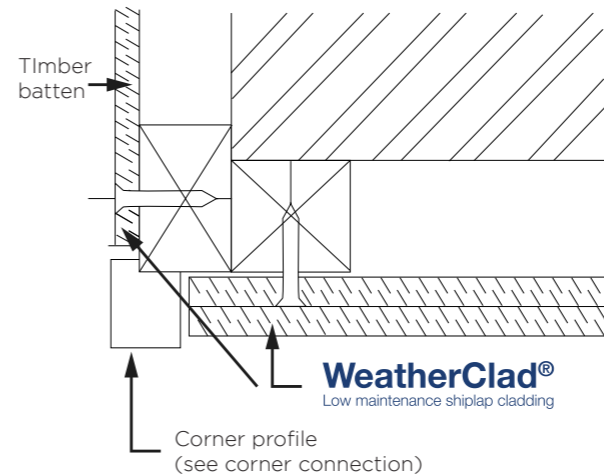
Base of facade and window heads



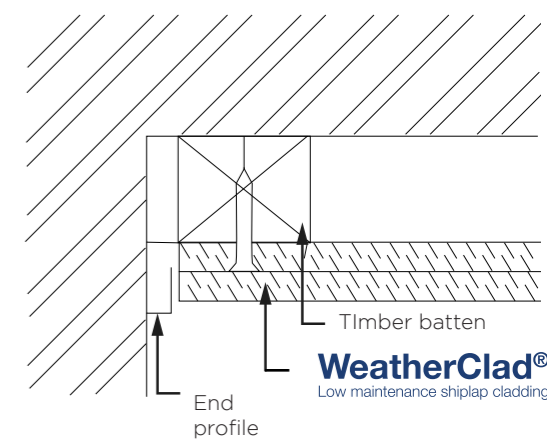
Window reveal option 1



Window reveal option 2



End of elevation



Processing

Manual cutting with a handsaw

Ensure that 'hardened point' saws are selected to maximise quality of cut and longevity of saw blade.

Power saws

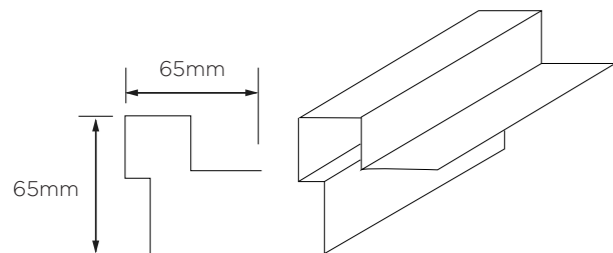
Circular saw is most popular, use tungsten tip or diamond blades. Tungsten tipped blades with around 36 teeth. Diamond dusted blade with 36-44 grit. Recommended blade diameter - 180mm. Cutting to the back of the plank is recommended for the best finish.



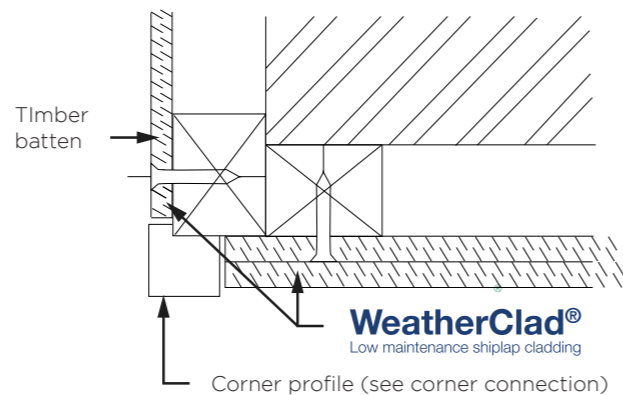
Aluminium Profile General Details

Asymmetrical external corner profile

Plan and isometric detail

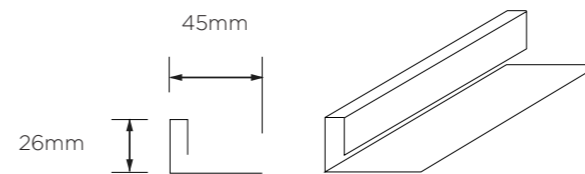


Asymmetrical external corner profile window/door reveal

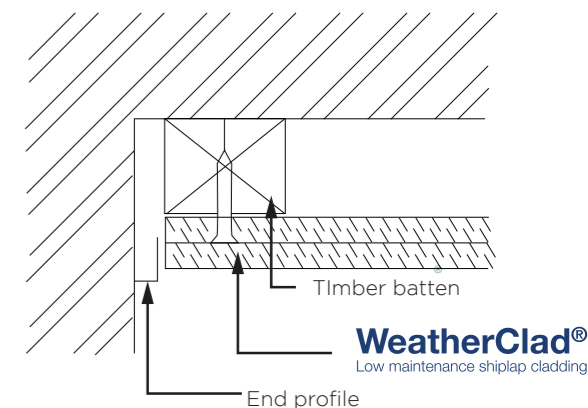


End profile

Plan and isometric detail

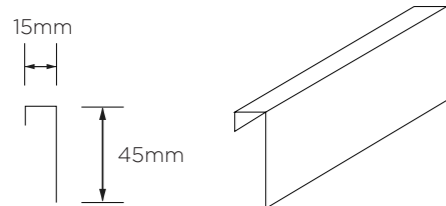


End profile application

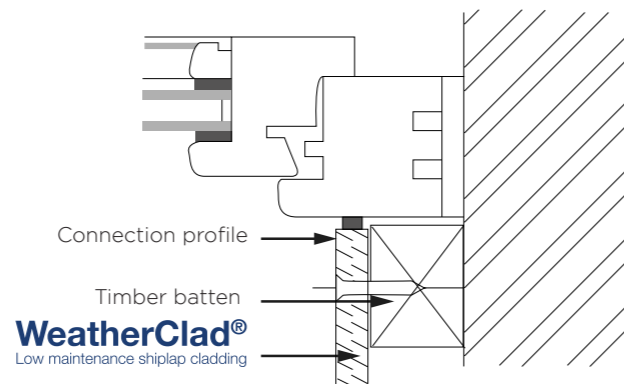


Connection profile

Plan and isometric detail

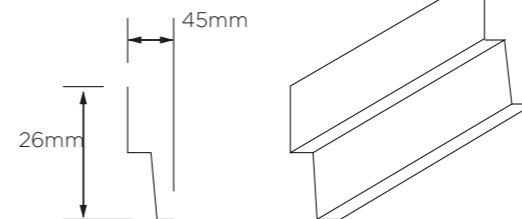


Connection profile application at reveal

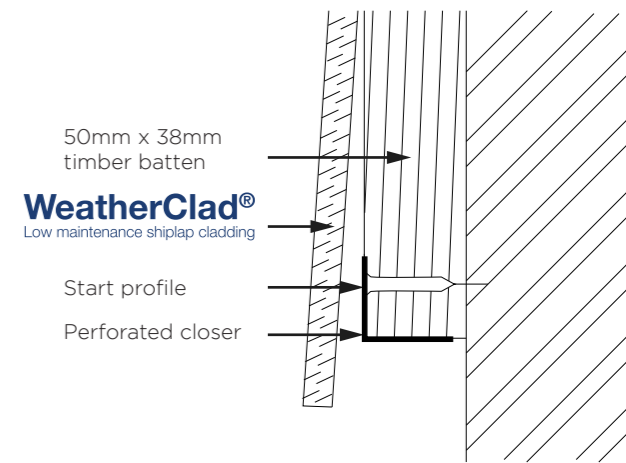


Start profile

Plan and isometric detail

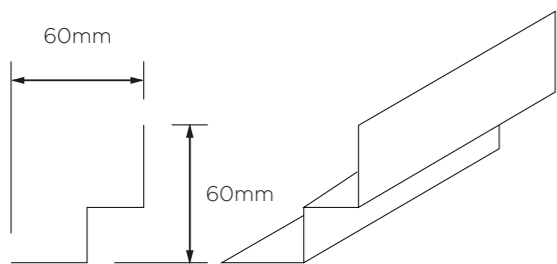


Start profile application at window head and base of system

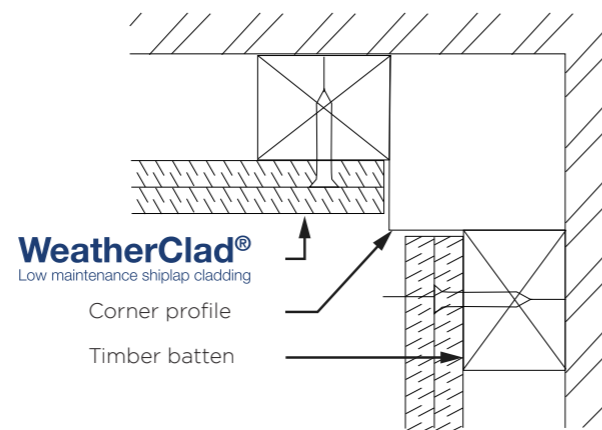


Symmetrical external corner profile

Plan and isometric detail



Symmetrical external corner profile application



The key sequence for installation is:

- Fix the base plate (also known as starter/profile strip) to the timber battens/steel rails;
- Fix end and corner profiles to all openings
- Place base panels on the starter profile and fix to the timber battens/steel rails
- Place spacers between joints as a guide for alignment
- Place the product on the spacers and fix to the timber battens/steel rails allowing 30mm overlap of the lower edge over the previous row;
- Install subsequent courses of the product as above with ends staggered;
- At the top of the supporting wall, install a ventilation grille allowing for a 10mm gap between the upper Product component and soffit Product component

Storage and handling

Weatherclad® is supplied in a fully dry state and is weather protected by plastic sheeting. Do not allow planks to ingress moisture prior to installation. When storing overnight planks should be protected with plastic sheeting or similar and on flat pallets elevated minimum 50mm from ground level.

Each pallet is labelled with instructions regarding handling and storage of product. Boards should be carried vertically on their edges when transported on site. Care should be taken when removing the planks from their pallets ensuring that the planks are not dragged which could cause damage to the decorative paint finish.



Efflorescence Salts

Efflorescence or 'lime bloom' is an occasional phenomenon that can affect cement-based products. It is caused by moisture entering the rear of the product and is no way detrimental to the performance of the product. Water dissolves salts within the product, this salt solution migrates to the substrate's surface, and a salt deposit remains after the water evaporates. Efflorescence is not normally due to faulty materials.

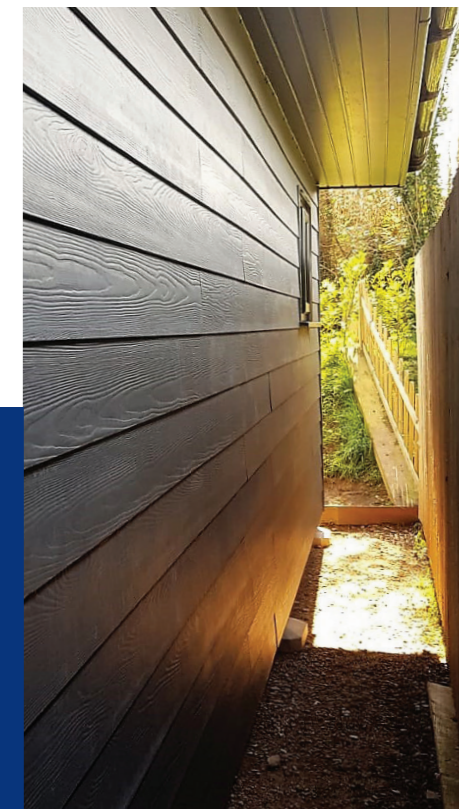


Cement contains an amount of free lime. When water is added, a series of chemical reactions commence which result in the setting and hardening of the cement, which is accompanied by the release of more lime in the form of Calcium Hydroxide.

This salt is sparingly soluble in water and the supersaturated solution deposits crystals on the surface of the Weatherclad®

The prime cause for the onset of efflorescence is the retention of water between the Weatherclad® planks whilst retained in the pack or its installation in very wet conditions.

It is recommended that Weatherclad® is stored under cover and clear of the ground prior to being used on site. The polythene wrapper should not be relied on for protection in the open. Care should be taken to prevent excessive moisture running down the rear face of the Weatherclad® during installation.



Efflorescence Salts (Continued)

A ventilated cavity behind the WeatherClad® will help to prevent moisture becoming trapped.

The duration of efflorescence is dependent on the quality and type of deposit and upon prevailing conditions. Water, the element that is initially responsible for its appearance, is also largely responsible for its disappearance.



Rainwater being slightly acidic not only dissolves the deposit, but also mechanically removes it by movement down the board. Although it is impossible to state categorically how long efflorescence will take to be removed by wind and rain; a period of suitably bad weather is usually sufficient to restore the WeatherClad® to an even appearance.

Efflorescence Salts (Continued)

Washing with warm water and a soft brush can accelerate its removal; however care should be taken to avoid damaging the painted surface. More stubborn deposits can be removed with 9.5% acetic acid.

Allow to react for a few minutes but do not allow drying out, and then wash with plenty of cold water. Repeat procedure if required. Try on a small area to avoid damage.

Note: Colour variation is prevalent in all cementitious products; however this does not in any way impact on the boards performance.





T 01698 356000
E enquiries@cmsdanskin.co.uk
W www.cmsdanskin.co.uk

CMS Danskin Acoustics is part of the



www.PerformanceTechnologyGroup.com

WeatherClad® is a registered trademark
UK00003188165 of SIG Trading Ltd

WeatherClad® is placed to the UK
market under BDA Agrément® certificate
BAW 20-140-P-A-UK held by Euroform
Products who are also a part of the
Performance Technology Group

Issue 3 05 2022