

## INSTALLATION GUIDELINES

### **REGUPOL SONUS 3912 ISOLATION STRIP**

formerly REGUPOL 3912 ISOLATION STRIP

#### **Product**

**REGUPOL sonus 3912 Isolation Strips** are designed to sit beneath all types of partition walls and are a very simple and effective way to reduce structure borne noise. There are a number of different **REGUPOL** materials that can be installed as Isolating Strips, each one tailored to withstand a specific weight per linear metre, therefore we have a **REGUPOL** solution for all partition requirements.



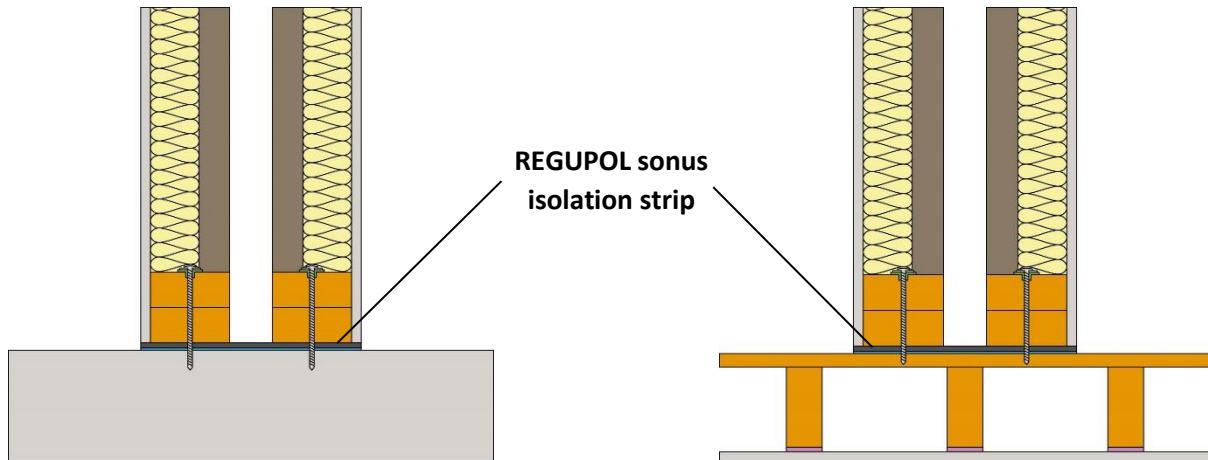
#### **Benefits**

---

- Offers long term performance without collapse or “bottoming” out under high point loads
- Resistant to ageing and deformation
- Quick and easy to install - simply bond to the subfloor beneath the partition
- Minimises construction heights
- Available with various backings including self-adhesive backing and Class ‘O’ foil facing
- Product manufactured using recycled materials and 100% Recyclable

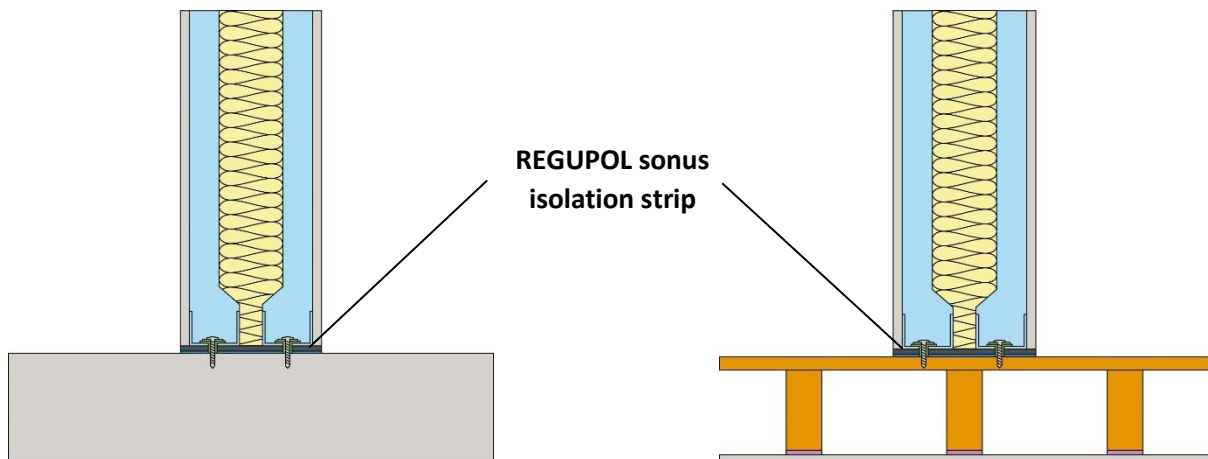
**Assembly example**

Timber Stud Frame



**Assembly example**

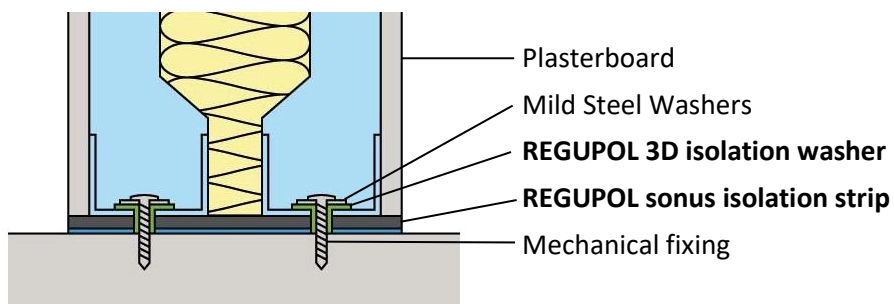
Metal Stud Frame



**REGUPOL sonus isolation strips** can be bonded to the applicable subfloor using approved REGUPOL adhesive\* or alternatively, mechanically fix.

All fixings to be isolated using **REGUPOL 3D isolation washers**.

\* Please contact CMS Danskin for advice on specific adhesive type



These diagrams are for illustrative purposes only and are intended to show the installation of a **REGUPOL** Isolating Strip. For information relating to your specific applications, please contact CMS Danskinn Acoustics.

**N.B.**

- The recognised technical rules of the industry, and the code of practice requirements of BS8203 “Installation of Resilient Floor Coverings” are to be observed
- **REGUPOL** Acoustic Underlayments can be easily installed providing BS8203 and our installation guidelines are observed

**Important Note:**

- All partitions to be fixed in accordance with manufacturers guidelines. If mechanically fixing, please ensure all fixings are isolated using **REGUPOL 3D isolation washers** and mild steel washers

***IMPORTANT:** The information provided within this document is believed correct and to the best of our available knowledge at its revision date and is provided as suggestion for safe handling, storage, transportation, use and disposal. The information should not be considered obligation in respect of warranty of (technical) performance, quality (specification) or suitability for any application or design. The customer must satisfy themselves the product (or draft specification) are relevant and suitable for their need and design intent. Prospective users should test a sample of product under their own conditions to satisfy themselves of its suitability for intended purpose and that expert advice be sought where different applications are contemplated. Due to our policy of continuous improvement we reserve the right to alter or amend published specification or design without prior notice. Reproduction of any part of this publication in any manner is not permitted without our prior written consent.*